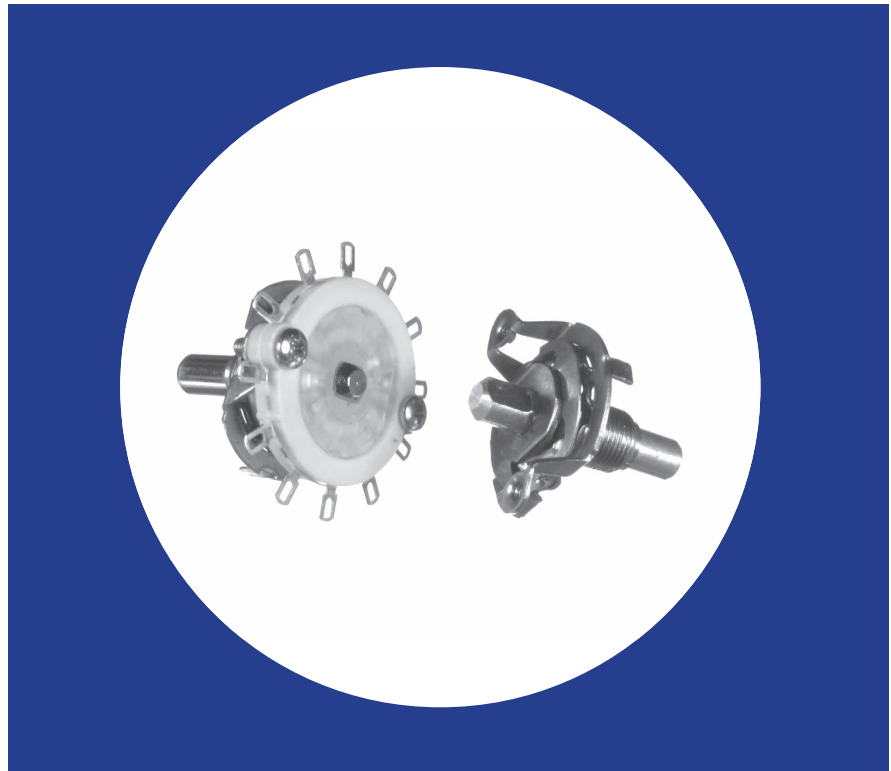


## CTS 212 Rotary Switches

### Features

- Hill and valley detent
- Balanced double bump detent spring
- Excellent feel
- 30° or 60° indexing
- Spring return styles available
- Adjustable stop available
- Solder lug and printed circuit terminals available
- Molded stator prevents solder from flowing into the circuit
- Custom switching patterns available
- Index or wafers are available separately
- RoHS compliant



## Electrical and Mechanical Specifications

### Indexing

Double bump spring hill and valley detent with standard 30° indexing for 2 through 12 positions or with special 60° indexing from 2 to 6 positions.

Special 90° indexing consult CTS

### Voltage and Current Rating

UL Rating: 3/4 amp at 125 VAC (shorting type only)

Special Rating: 1/4 amp at 28 VDC (shorting or non shorting)  
1 amp at 28 VDC (shorting type only)

### Contact Resistance

15 milliohms max. when measured from adjacent terminals

### Stop Strength

15 in-lb (17.3Kgf-cm).

### Torque

Up to 48 in-oz. (3.5Kgf-cm).

### Detent Rotational Life

Standard: 25,000 cycles through 12 positions and return at 10 cycles per minute.

### Materials

Shaft: Aluminum or unplated brass at CTS option

Bushing: Standard — Brass

Detent Spring: Spring brass or nickel silver depending on torque requirements

Front Plate: Zinc plated or nickel plated steel at CTS option

Rotor Contacts, Stator Contacts and Terminals: Silver plated brass standard

Stator Insulator: Glass reinforced thermoset material

### Bushing Lengths

Standard: 3/8"-32 UNEF-2A Thread, 1/4" (6.35mm) or 3/8" (9.53mm) long.

Special Lengths: Available as required

### Locating Lugs

Standard: Left side .531" (13.5mm) radius

Special: Right side .531" (13.5mm) radius or no lug

### Shaft Trim

Standard: Plain round

Special: Flat, slot, knurl, or mixed (flat with slot)

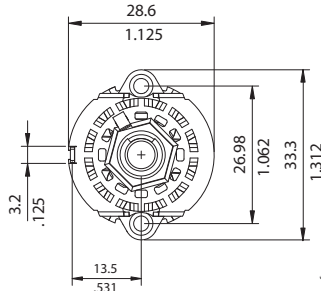
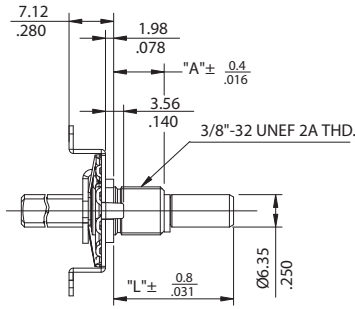
### Frames

Machine screw, bolt & nut, or rivet construction

### Lubrication

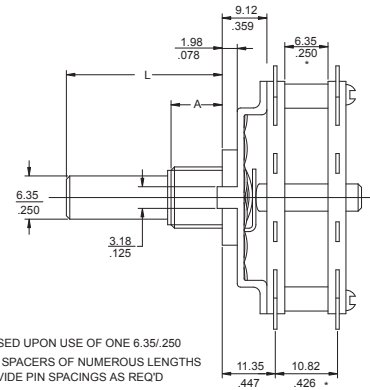
Special lubrication is used sufficient for the life of the index assembly under normal hand operation.

# Physical Dimensions



\* NOTE :

10.82 / 426 DIMENSION BASED UPON USE OF ONE 6.35 / 250 SPACE NO SPACERS OR SPACERS OF NUMEROUS LENGTHS ARE AVAILABLE TO PROVIDE PIN SPACINGS AS REQ'D

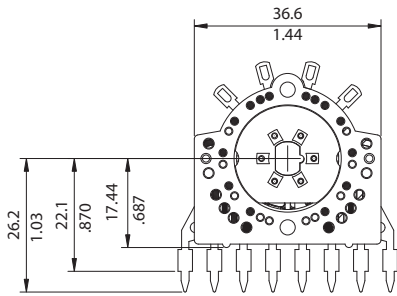


DIMENSION:  $\frac{\text{mm}}{\text{INCH}}$

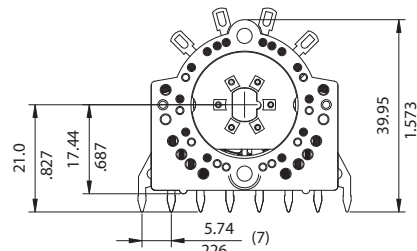
Detent Only

Typical Assembled Switch

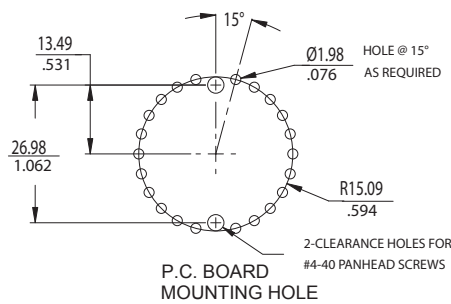
# Available Terminal Styles



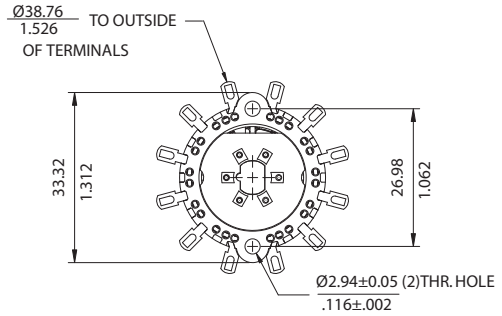
Y-Style



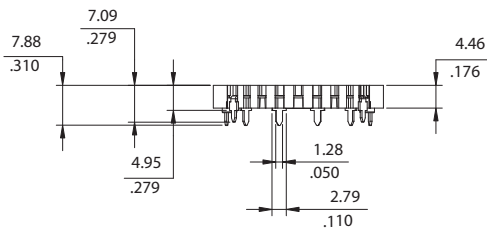
X-Style



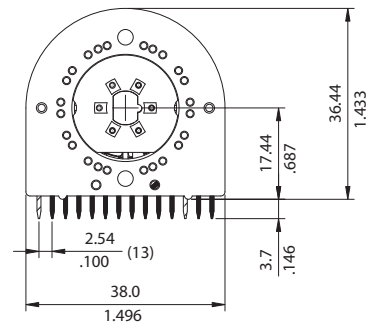
P.C. BOARD MOUNTING HOLE



T-Style



U-Style



P-Style

DIMENSION:  $\frac{\text{mm}}{\text{INCH}}$

## Ordering Information

